



Datasheet CCT Team PRO Disc

For more informations visit www.corratec.de

CCT TEAM

CCT Team PRO Disc

Frame: Corratec CCT Team Disc

Components: Shimano Ultegra

Size: 46, 48, 51, 54, 57, 60

Colors:



TECHNOLOGIES

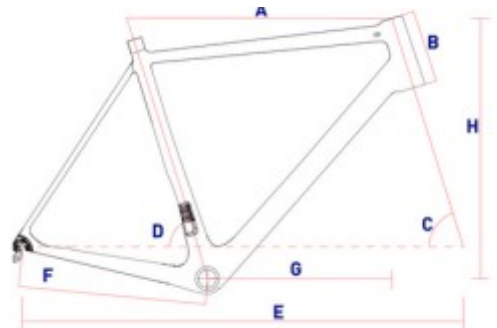


DESCRIPTION

- Light, stiff and aerodynamic EPS NACA 0038 produced Toray carbon frame.
- Maximum power transmission for demanding climbs.
- Aerodynamic optimized Pro Control Carbon Fork.

FRAME

CM	A	B	C	D	E	F	G	H
46	516	119	71	75	974	407	373	518
48	534	130	73	74	973	407	381	534
51	551	144	73	74	978	407	386	550
54	569	153	73	73	991	407	399	558
57	588	170	73	73	1004	407	407	575
60	602	192	73	73	1021	407	418	595



EQUIPMENT

MAIN:

FRAME: Corratec CCT Team Disc
 FORK: Corratec Pro Control Carbon Fork Disc
 BREAKES: Shimano Ultegra hydraulic Disc Brake front
 Shimano Ultegra hydraulic Disc Brake rear
 STEM: ZZYX SL Alloy Stem
 HANDLE BAR: ZZYX SL Alloy Handlebar
 SADDLE: Selle Italia Model X
 SEAT POST: ZZYX SL Alloy Seatpost

DRIVE:

CHAINWHEEL: Rotor Vegast Spider
 CASSETTE: Shimano 105
 FRONT DERAILLEUR: Shimano Ultegra
 REAR DERAILLEUR: Shimano ULTEGRA 11s
 SHIFT LEVERS: Shimano Ultegra

WHEELSET:

RIM: ZZYX Race Alloy Disc
 TIRE: Continental Grand Prix 700 x 25C

SPECIAL:

CHAINWHEEL RATIO: 2s; 50/34
 CASSETTE RATIO: 11s; 11 12 13 14 15 17 19 22 25 28 32
 SIZE BRAKE DISC: 160 mm front
 160 mm rear

Because of the problems in the delivery chain arising from the current COVID-19 situation, the bike can be delivered with modifications.

Rendering is for Reference only.