



Datasheet Revolution iLink SL Factory

For more informations visit www.corratec.de

Revolution iLink SL Factory

Frame: Corratec Revolution iLink 29 SL

Components: Sram AXS Eagle 12S

Size: 44, 48, 52

Colors:



TECHNOLOGIES

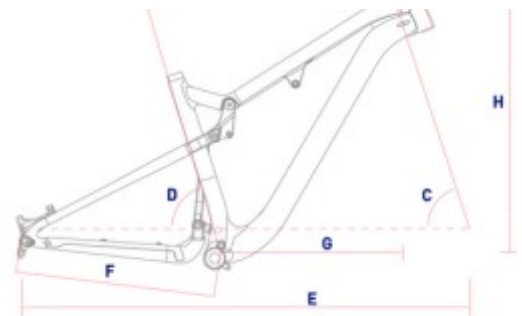


DESCRIPTION

- High class extreme Superlight frame, weight including the damper below 2.000 gram.
- INSIDE LINK TECHNOLOGY - outstanding VPP System with a tight rear angle without lockout.

FRAME

CM	A	B	C	D	E	F	G	H
44	586	101	69	76	1137	435	445	604
48	613	108	69	76	1164	435	469	609
52	629	124	69	76	1182	435	484	625



EQUIPMENT

MAIN:

FRAME:	Corratec Revolution iLink 29 SL
FORK:	Rockshox SID SL Ultimate 29" Boost
FULLY DAMPER:	Rockshox SID Luxe Ultimate
BREAKES:	SRAM Level Ultimate front SRAM Level Ultimate rear
STEM:	ZZYZX SL Alloy Stem
HANDLE BAR:	ZZYZX SLR Carbon
SADDLE:	Selle Italia Superflow Carbon
SEAT POST:	Rockshox Reverb AXS

DRIVE:

CHAINWHEEL:	SRAM XX1 Eagle DUB
CASSETTE:	SRAM XG1299 Eagle
REAR DERAILLEUR:	SRAM XX1 Eagle AXS 12S
SHIFT LEVERS:	SRAM XX1 Eagle AXS

WHEELSET:

RIM:	DT Swiss XCR 1200 Spline front DT Swiss XCR 1200 Spline rear
TIRE:	Schwalbe Racing Ray front Schwalbe Racing Ralph rear

SPECIAL:

CHAINWHEEL RATIO:	1s; 32
CASSETTE RATIO:	12S; 10 12 14 16 18 21 24 28 32 36 42 52
FORK SUSPENSION TRAVEL:	100 mm
SIZE BRAKE DISC:	180 mm front 160 mm rear

Because of the problems in the delivery chain arising from the current COVID-19 situation, the bike can be delivered with modifications.