



Datasheet Revolution iLink Pro

For more informations visit www.corratec.de

Revolution iLink Pro

Frame: Corratec Revolution iLink

Components: Shimano Deore XT 12S

Size: 44, 48, 52

Colors:



TECHNOLOGIES

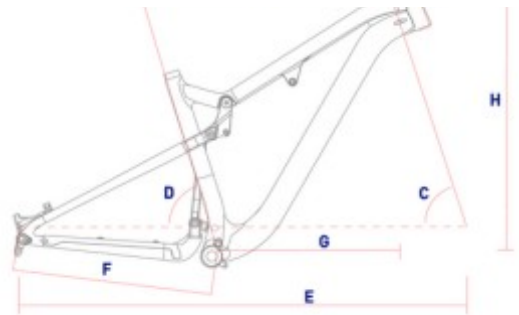


DESCRIPTION

- Outstanding **Inside Link Technology** for a tight rear angle at any time without lockout.
- The perfect device for long **Allmountain tours and crossing the Alps.**
- **Frame with Boost standard** - light and stiff at the same time.

FRAME

| CM | A | B | C | D | E | F | G | H |
|----|-----|-----|----|----|------|-----|-----|-----|
| 44 | 589 | 101 | 68 | 75 | 1144 | 435 | 445 | 610 |
| 48 | 616 | 108 | 68 | 75 | 1171 | 435 | 460 | 615 |
| 52 | 632 | 124 | 68 | 75 | 1192 | 435 | 475 | 630 |



EQUIPMENT

MAIN:

| | |
|---------------|---|
| FRAME: | Corratec Revolution iLink |
| FORK: | Rockshox SID RL 29" Boost |
| FULLY DAMPER: | Rockshox Deluxe Select |
| BREAKES: | Shimano Deore XT front Shimano Deore XT rear |
| STEM: | ZZYZX SL Alloy |
| HANDLE BAR: | ZZYZX SL Alloy Handlebar |
| SADDLE: | Selle Italia Model X |
| SEAT POST: | Kindshock RAGEi |

DRIVE:

| | |
|------------------|-----------------------|
| CHAINWHEEL: | Shimano Deore XT |
| CASSETTE: | Shimano DEORE SLX 12S |
| REAR DERAILLEUR: | Shimano DEORE XT 12S |
| SHIFT LEVERS: | Shimano Deore XT |

WHEELSET:

| | |
|-------|---|
| RIM: | DT Swiss M 1900 Spline 29 front DT Swiss M 1900 Spline 29 rear |
| TIRE: | Schwalbe Nobby Nic front Schwalbe Nobby Nic rear |

SPECIAL:

| | |
|-------------------------|--|
| CHAINWHEEL RATIO: | 1s; 32 |
| CASSETTE RATIO: | 12s; 10 12 14 16 18 21 24 28 33 39 45 51 |
| FORK SUSPENSION TRAVEL: | 120 mm |
| SIZE BRAKE DISC | 180 mm front 180 mm rear |

Because of the problems in the delivery chain arising from the current COVID-19 situation, the bike can be delivered with modifications.