



Datasheet Revo BOW

For more informations visit www.corratec.de

REVO BOW

Revo BOW

Frame: Corratec Revo Bow

Components: Sram SX Eagle 12S

Size: 39, 44, 49, 54

Colors:



TECHNOLOGIES

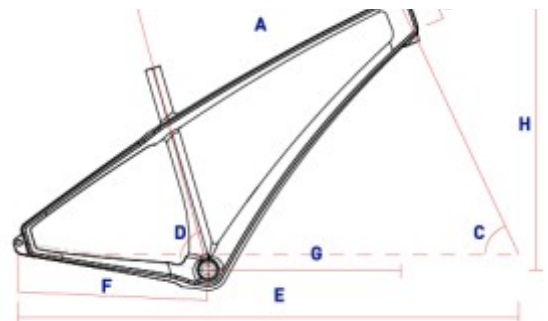


DESCRIPTION

- The **perfect training device on XCO tracks** with high class components.
- Extremely stiff thanks to an **EPS carbon made frame**.
- **Arched top tube** for increased safety and comfort on technical trails.

FRAME

CM	A	B	C	D	E	F	G	H
39	580	95	69	74	1085	425	407	605
44	600	100	69	74	1106	425	426	610
49	625	110	69	74	1132	425	448	620
54	650	121	69	74	1158	425	469	630



EQUIPMENT

MAIN:

FRAME:	Corratec Revo Bow
FORK:	Manitou Markhor 29"
BREAKES:	Magura MT4 front Magura MT4 rear
STEM:	ZZYZX SL Alloy Stem
HANDLE BAR:	ZZYZX SL Alloy Handlebar
SADDLE:	Selle Italia Model X
SEAT POST:	ZZYZX SL Alloy Seatpost

DRIVE:

CHAINWHEEL:	SRAM SX Eagle DUB
CASSETTE:	SRAM PG1210 Eagle 12S
REAR DERAILLEUR:	SRAM SX Eagle 12S
SHIFT LEVERS:	SRAM SX Eagle

WHEELSET:

RIM:	ZZYZX Cross Attack front ZZYZX Cross Attack rear
TIRE:	Schwalbe Nobby Nic 2.25 front Schwalbe Nobby Nic 2.25 rear

SPECIAL:

CHAINWHEEL RATIO:	1s; 32
CASSETTE RATIO:	12s; 11 13 15 17 19 22 25 28 32 36 42 50
FORK SUSPENSION TRAVEL:	100 mm
SIZE BRAKE DISC:	180 mm front 160 mm rear

Because of the problems in the delivery chain arising from the current COVID-19 situation, the bike can be delivered with modifications.