



# Datasheet Revo BOW SL Pro

For more informations visit [www.corratec.de](http://www.corratec.de)

## REVO BOW

### Revo BOW SL Pro

Frame: Corratec Revo BOW SL

Components: Shimano XT 12S

Size: 39, 44, 49, 54

Colors:



The rendering is for reference only

#### TECHNOLOGIES

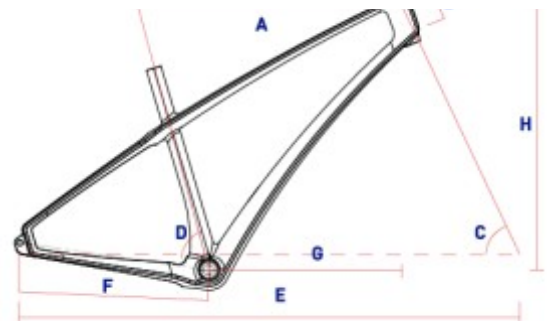


#### DESCRIPTION

- The **new Bow Hardtail**, extremely stiff and at the same time superlight.
- Tidy cockpit with **completely internal cables**.
- Outstanding design and **Luxury components**.

#### FRAME

CM	A	B	C	D	E	F	G	H
39	580	95	69	74	1085	425	407	605
44	600	100	69	74	1106	425	426	610
49	625	110	69	74	1132	425	448	620
54	650	121	69	74	1158	425	469	630



#### EQUIPMENT

##### MAIN:

FRAME:	Corratec Revo BOW SL
FORK:	Rockshox SID SL Select 29" Boost
BREAKES:	Shimano SLX front Shimano SLX rear
STEM:	ZZYZX SL Alloy Stem
HANDLE BAR:	ZZYZX SLR Carbon
SADDLE:	Selle Italia Model X
SEAT POST:	ZZYZX Carbon Seatpost

##### DRIVE:

CHAINWHEEL:	Shimano Deore SLX
CASSETTE:	Shimano DEORE SLX 12S
REAR DERAILLEUR:	Shimano DEORE XT 12S
SHIFT LEVERS:	Shimano SLX

##### WHEELSET:

IRM:	DT Swiss M 1900 Spline 29 front DT Swiss M 1900 Spline 29 rear
TIRE:	Schwalbe Racing Ray front Schwalbe Racing Ralph rear

##### SPECIAL:

CHAINWHEEL RATIO:	1s; 32
CASSETTE RATIO:	12s; 10 12 14 16 18 21 24 28 33 39 45 51
FORK SUSPENSION TRAVEL:	100 mm
SIZE BRAKE DISC:	180 mm front 160 mm rear

Because of the problems in the delivery chain arising from the current COVID-19 situation, the bike can be delivered with modifications.