



Datasheet Revo BOW SL Pro Team

For more informations visit www.corratec.de

REVO BOW

Revo BOW SL Pro Team

Frame: Corratec Revo BOW SL

Components: Rockshox SID SL Select 29" Boost

Size: 39, 44, 49, 54

Colors:



TECHNOLOGIES

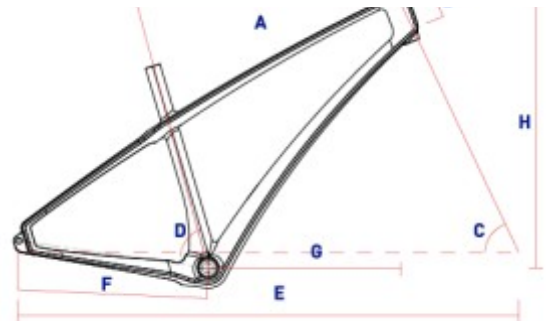


DESCRIPTION

- The **new Bow Hardtail**, extremely stiff and at the same time superlight.
- Tidy cockpit with **completely internal cables**.
- Outstanding design and **Luxury components**.

FRAME

CM	A	B	C	D	E	F	G	H
39	580	95	69	74	1085	425	407	605
44	600	100	69	74	1106	425	426	610
49	625	110	69	74	1132	425	448	620
54	650	121	69	74	1158	425	469	630



EQUIPMENT

MAIN:

FRAME: Corratec Revo BOW SL
 FORK: Rockshox SID SL Select 29" Boost
 BREAKES: SRAM DB G2R front
 SRAM DB G2R rear
 STEM: ZZYX SL Alloy Stem
 HANDLE BAR: ZZYX SLR Carbon
 SADDLE: Selle Italia Superflow Manganese
 SEAT POST: ZZYX Carbon Seatpost

DRIVE:

CHAINWHEEL: SRAM X01 Eagle DUB
 CASSETTE: SRAM XG1295 Eagle
 REAR DERAILLEUR: SRAM X01 Eagle
 SHIFT LEVERS: SRAM X01 Eagle Trigger 12S

WHEELSET:

RIM: DT Swiss XMC1501 Spline Boost front
 DT Swiss XMC1501 Spline Boost rear
 TIRE: Schwalbe Racing Ralph front
 Schwalbe Racing Ray rear

SPECIAL:

CHAINWHEEL RATIO: 1s; 32
 CASSETTE RATIO: 12S; 10 12 14 16 18 21 24 28 32 36 42 52
 FORK SUSPENSION TRAVEL: 100 mm
 SIZE BRAKE DISC: 180 mm front
 160 mm rear

Because of the problems in the delivery chain arising from the current COVID-19 situation, the bike can be delivered with modifications.