



Datasheet Revo BOW SL Factory

For more informations visit www.corratec.de

REVO BOW

Revo BOW SL Factory

Frame: Corratec Revo BOW SL

Components: Sram AXS Eagle 12S

Size: 39, 44, 49, 54

Colors:



TECHNOLOGIES

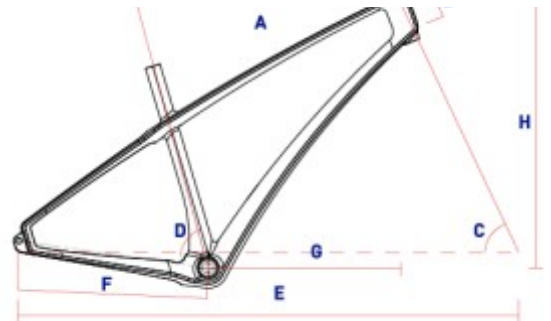


DESCRIPTION

- The new **Bow Hardtail**, extremely stiff and at the same time superlight.
- Tidy cockpit with **completely internal cables**.
- **Sram Eagle AXS** wireless electronic circuit.

FRAME

CM	A	B	C	D	E	F	G	H
39	580	95	69	74	1085	425	407	605
44	600	100	69	74	1106	425	426	610
49	625	110	69	74	1132	425	448	620
54	650	121	69	74	1158	425	469	630



EQUIPMENT

MAIN:

FRAME:	Corratec Revo BOW SL
FORK:	Rockshox SID SL Ultimate 29" Boost
BREAKES:	SRAM Level Ultimate front SRAM Level Ultimate rear
STEM:	ZZYZX SL Alloy Stem
HANDLE BAR:	ZZYZX SLR Carbon
SADDLE:	Selle Italia Superflow Carbon
SEAT POST:	ZZYZX Carbon Seatpost

DRIVE:

CHAINWHEEL:	SRAM XX1 Eagle DUB
CASSETTE:	SRAM XG1299 Eagle
REAR DERAILLEUR:	SRAM XX1 Eagle AXS 12S
SHIFT LEVERS:	SRAM AXS Eagle

WHEELSET:

RIM:	DT Swiss XCR 1200 Spline front DT Swiss XCR 1200 Spline rear
TIRE:	Schwalbe Racing Ray front Schwalbe Racing Ralph rear

SPECIAL:

CHAINWHEEL RATIO:	1s; 32
CASSETTE RATIO:	12S; 10 12 14 16 18 21 24 28 32 36 42 52
FORK SUSPENSION TRAVEL:	100 mm
SIZE BRAKE DISC:	180 mm front 160 mm rear

Because of the problems in the delivery chain arising from the current COVID-19 situation, the bike can be delivered with modifications.